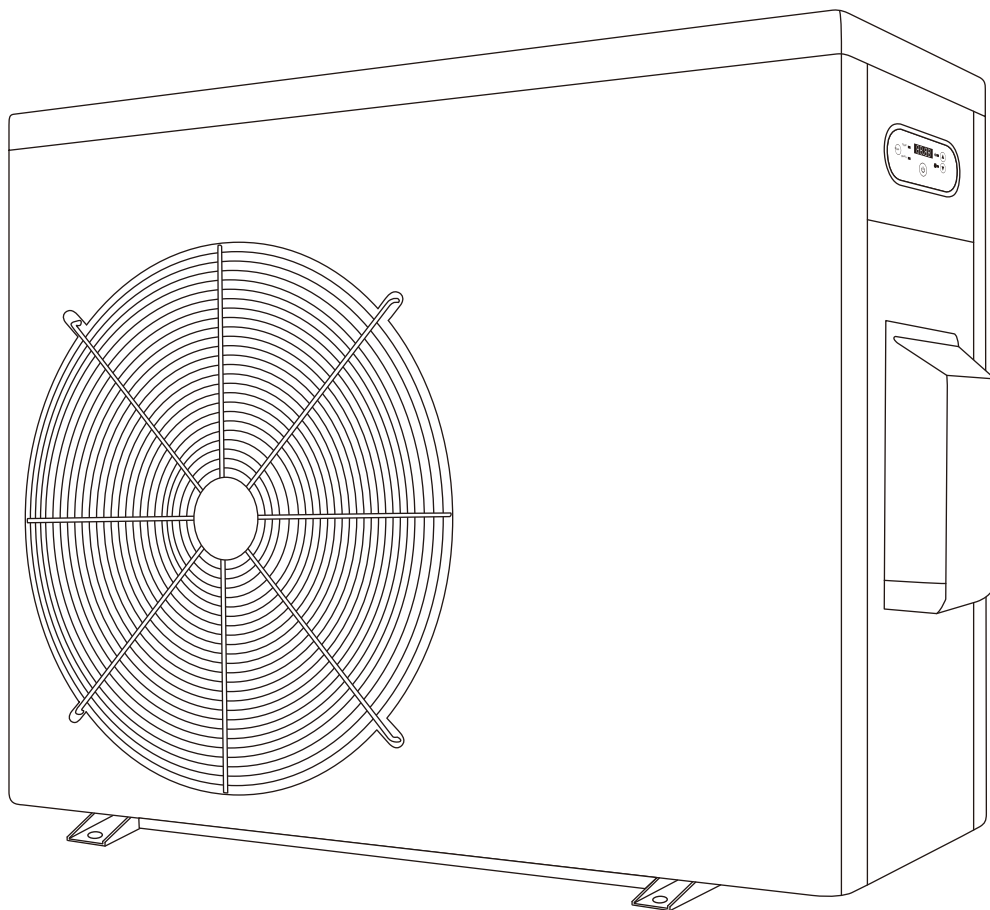


FAIRLAND[®]

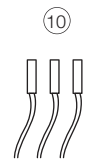
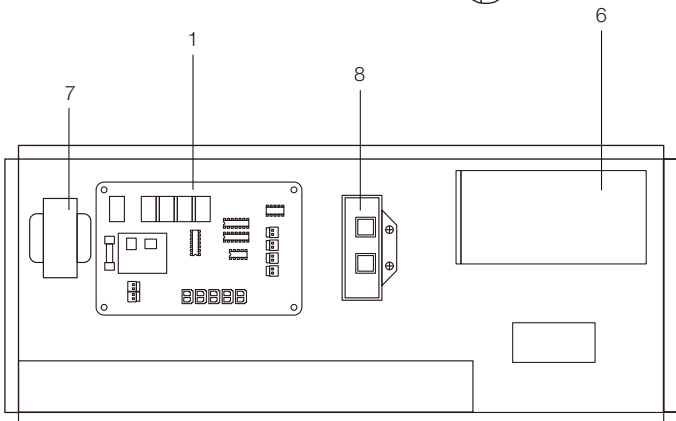
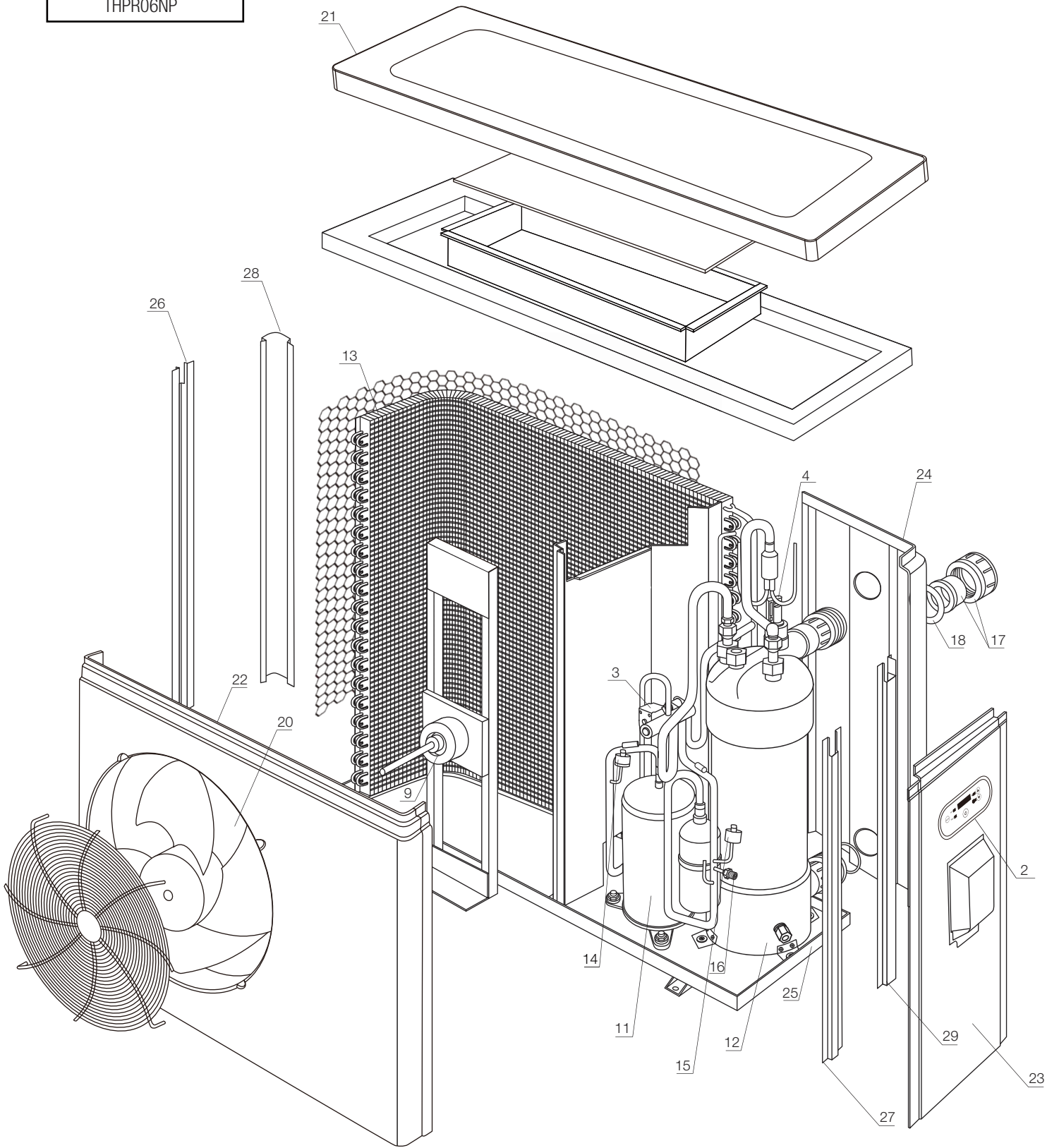
100% Green iGarden

Spare Parts Catalog - 2024 Season

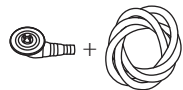
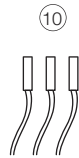
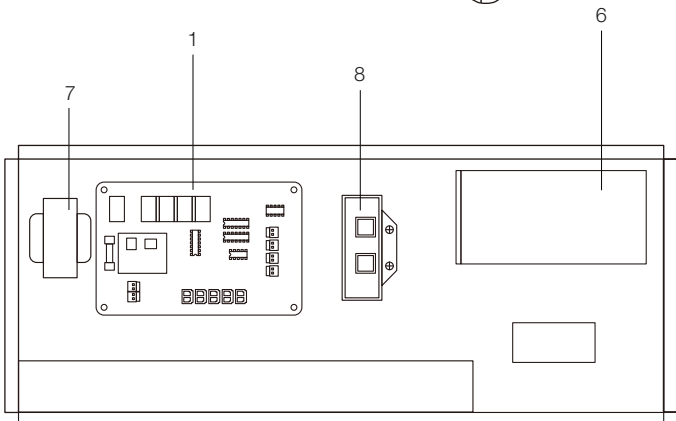
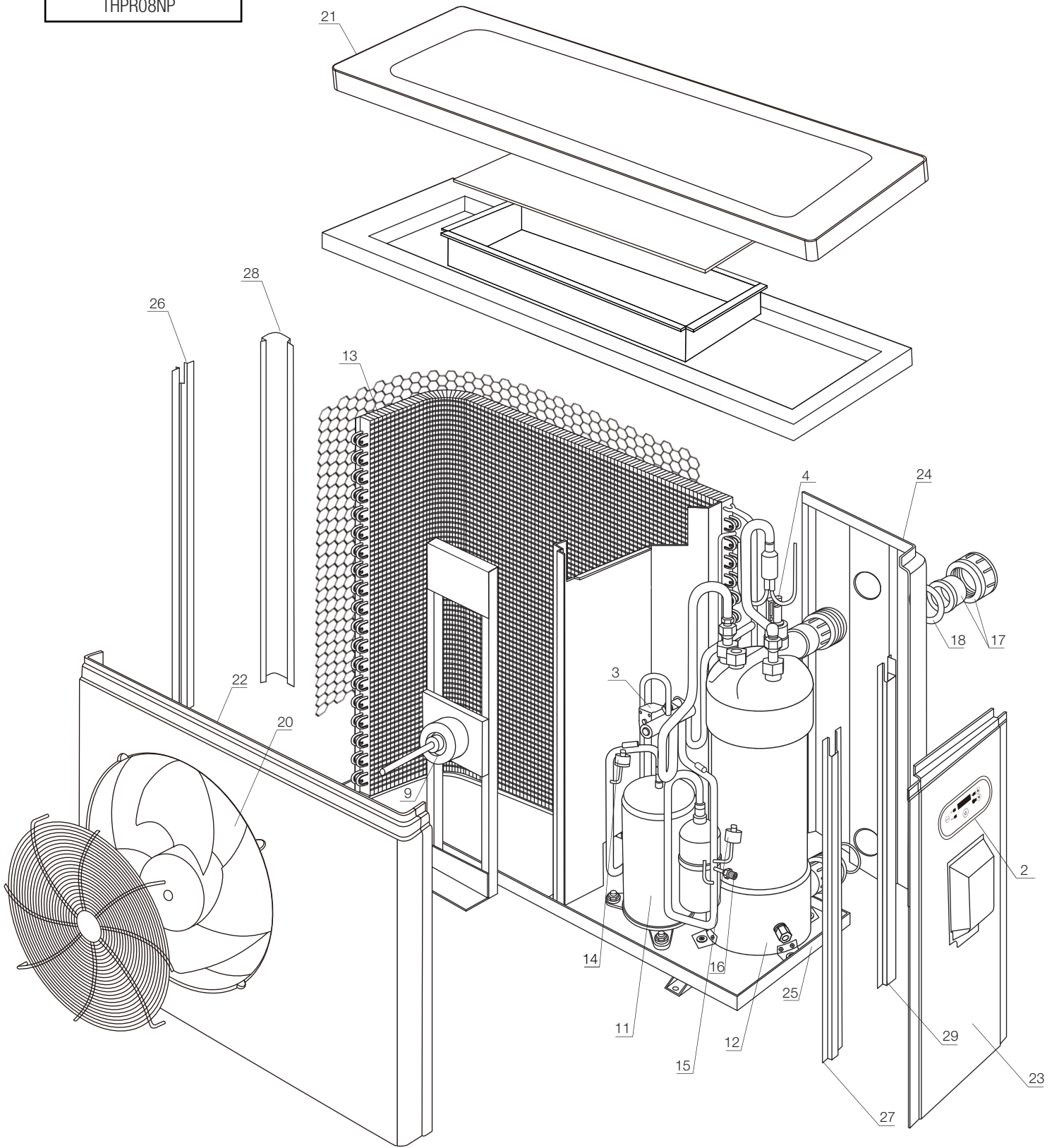


CONTENTS

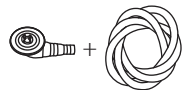
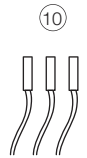
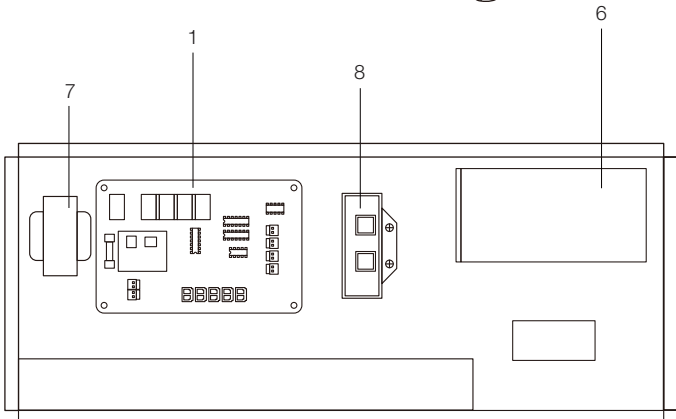
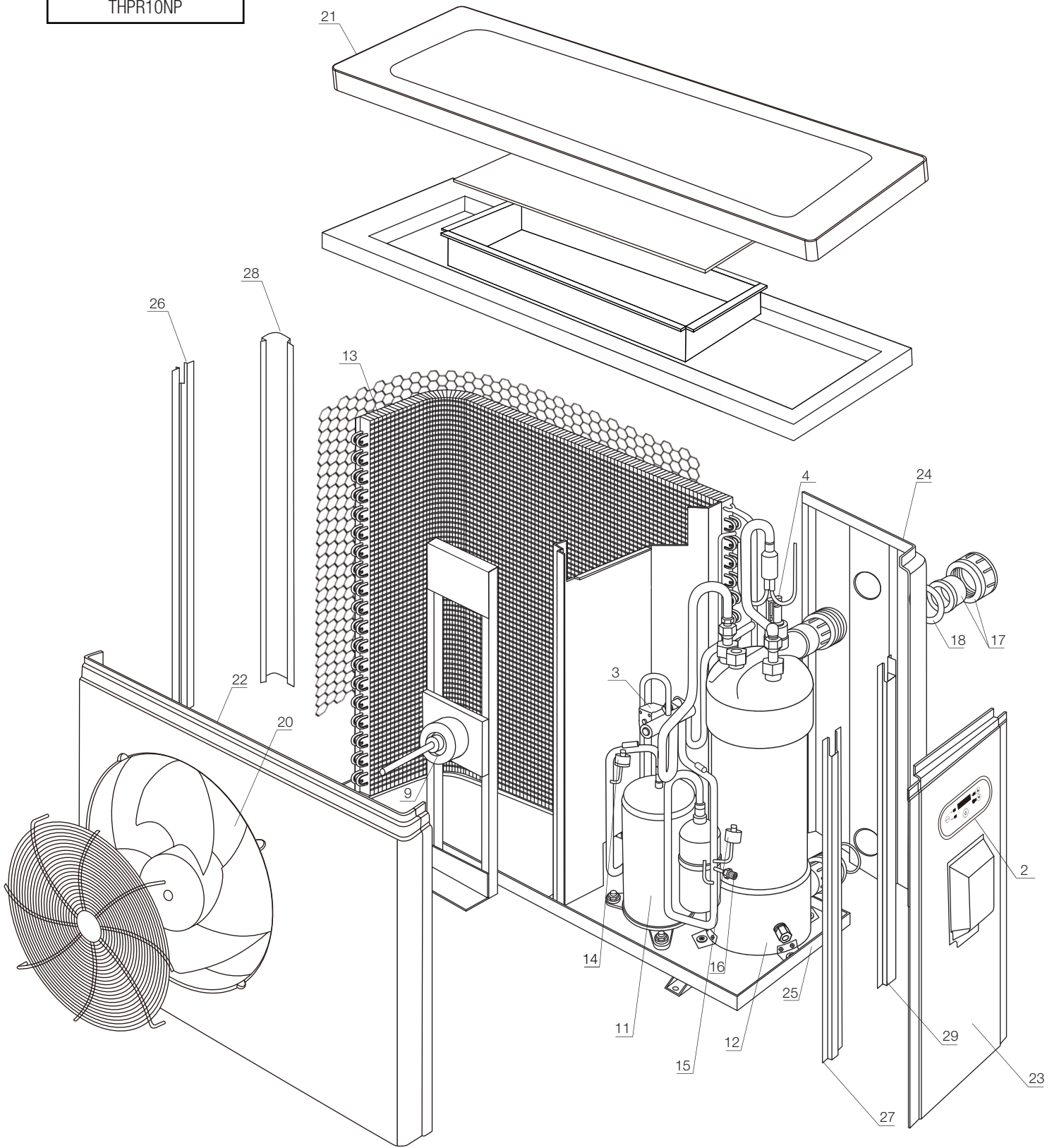
THPR06NP.....	03-04
THPR08NP.....	05-06
THPR10NP.....	07-08
THPR12NP.....	09-10
THPR14NP.....	11-12
THPR17NP.....	13-14



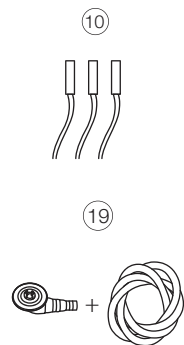
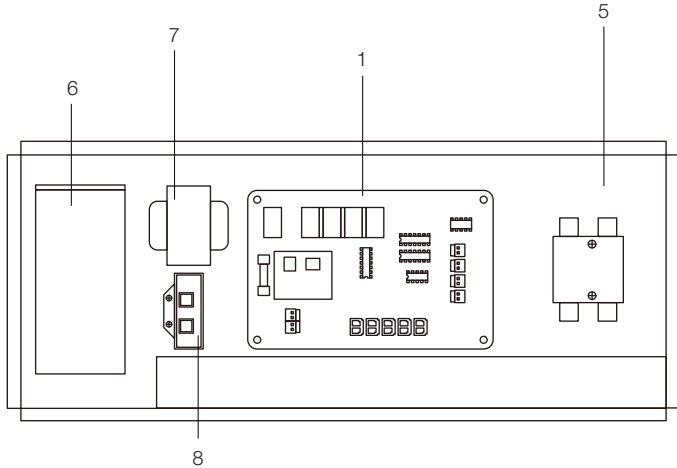
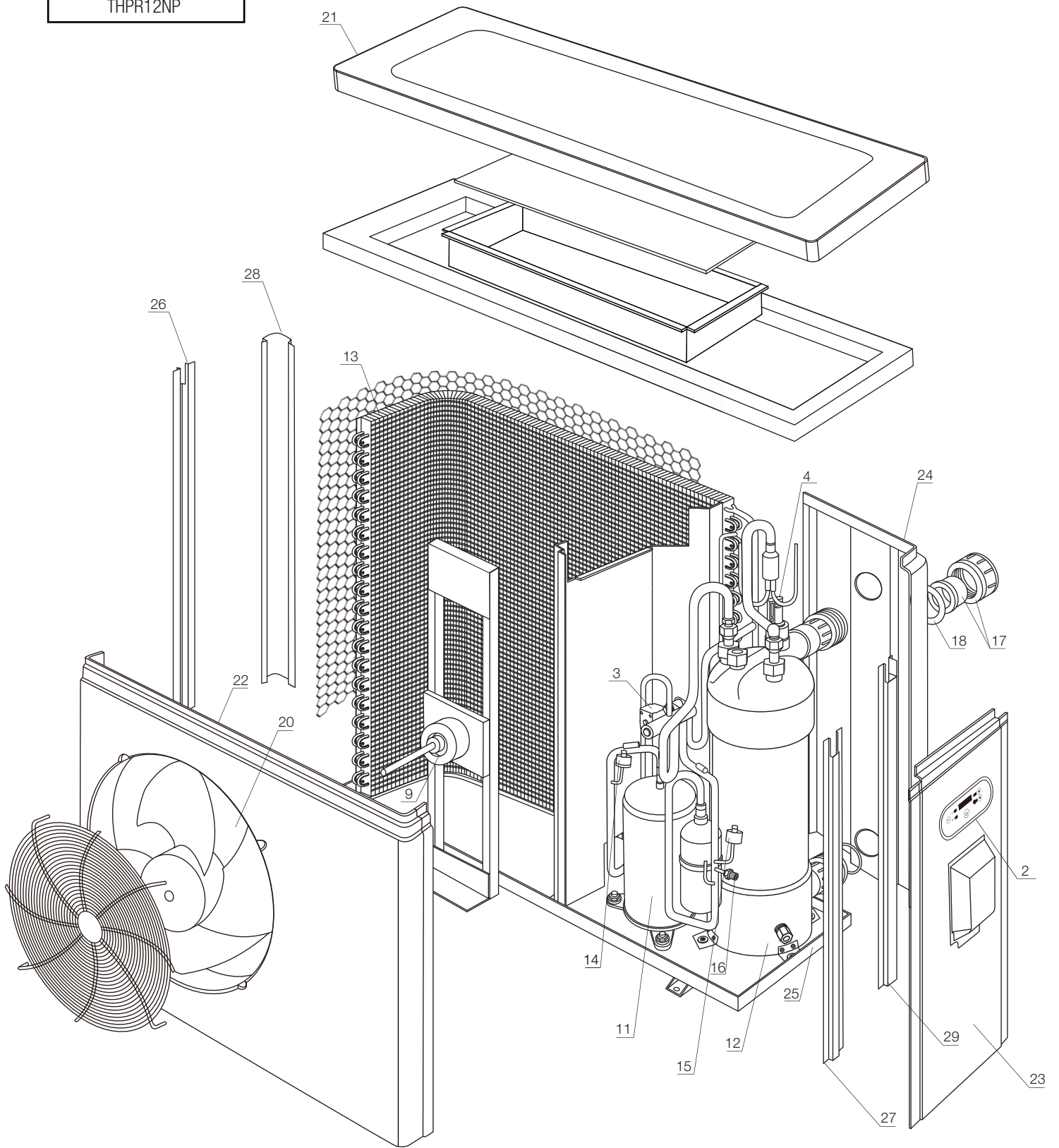
Position	Spare parts	Part number
1	PC board (Heat)	033020090000
2	Oval led (Heat)	034090200000
3	4-way valve	006110040001
4	Water flow switch	040060600000
5	Contactator	-
6	Compressor capacitor	041020350000
7	Transformer	036010010000
8	Fan motor capacitor	041010020001
9	Fan motor	032020200000
10	Full set of sensors (Heat)	Z35010010100
11	Compressor	031034000000
12	Titanium heat exchanger (Heat)	001030490000
13	Evaporator	Z01010520000
14	High pressure switch	040050630000
15	Low pressure switch	040050130000
16	High & low pressure valve	006080500000
17	Water union (50mm black)	003990020000
18	Water union gasket	004980050003
19	Drainage kit	Z03991700000
20	Fan	007010010000
21	Top panel	Z03020200109
22	Front panel	Z03020270109
23	Right panel	Z03020200309
24	Back panel	Z03020200609
25	Bottom Board (Black)	002020082100
26	Front left pole (Black)	002020081000
27	Front right pole (Black)	002020081100
28	Back left pole (Black)	002020081200
29	Back right pole (Black)	002020081300



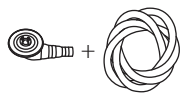
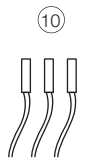
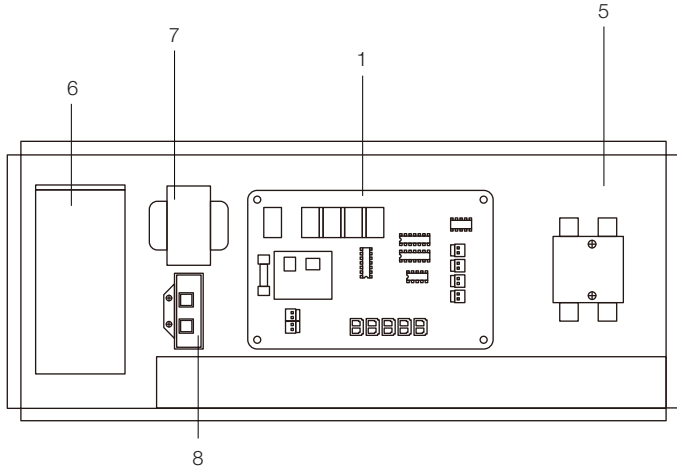
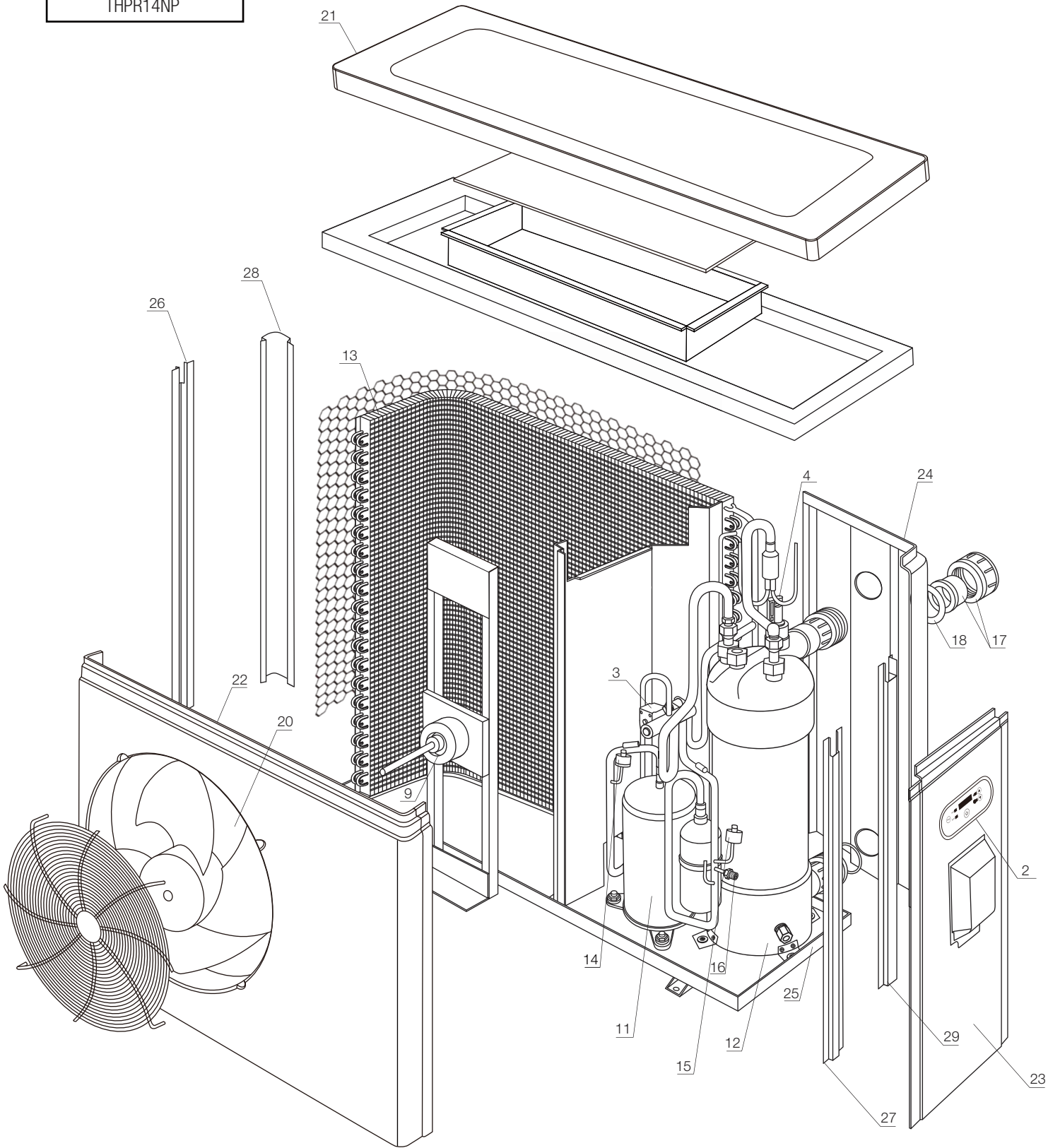
Position	Spare parts	Part number
1	PC board (Heat)	033020090000
2	Oval led (Heat)	034090200000
3	4-way valve	006110080001
4	Water flow switch	040060600000
5	Contactator	-
6	Compressor capacitor	041020350000
7	Transformer	036010010000
8	Fan motor capacitor	041010020001
9	Fan motor	032020200000
10	Full set of sensors (Heat)	Z35010010100
11	Compressor	031034030000
12	Titanium heat exchanger (Heat)	001030090000
13	Evaporator	001010570000
14	High pressure switch	040050630000
15	Low pressure switch	040050130000
16	High & low pressure valve	006080500000
17	Water union (50mm black)	003990020000
18	Water union gasket	004980050003
19	Drainage kit	Z03991700000
20	Fan	007010010000
21	Top panel	Z03020200109
22	Front panel	Z03020270109
23	Right panel	Z03020200309
24	Back panel	Z03020210509
25	Bottom Board (Black)	002020090100
26	Front left pole (Black)	002020081000
27	Front right pole (Black)	002020081100
28	Back left pole (Black)	002020081200
29	Back right pole (Black)	002020081300



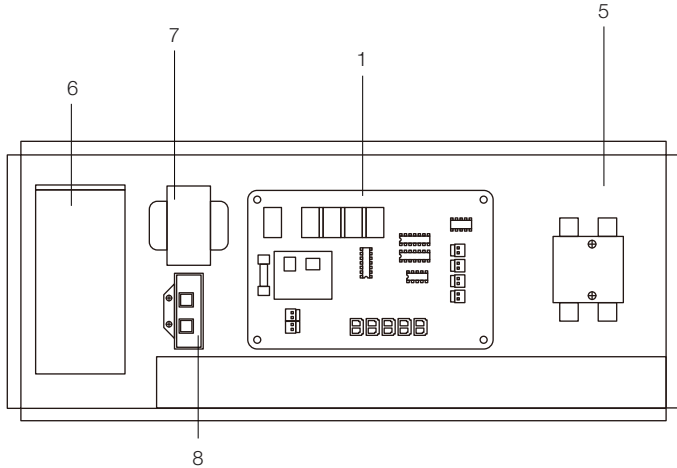
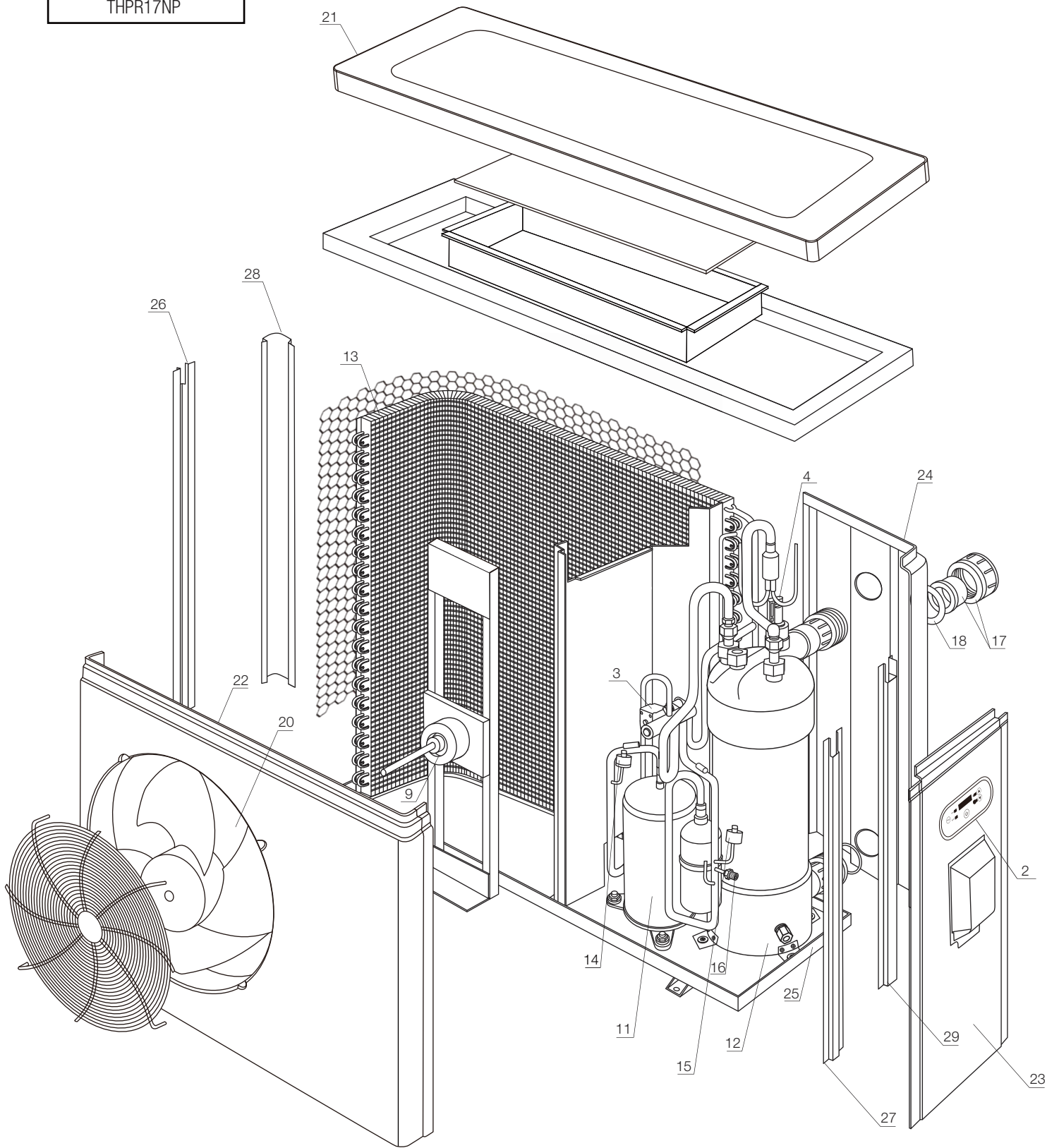
Position	Spare parts	Part number
1	PC board (Heat)	033020090000
2	Oval led (Heat)	034090200000
3	4-way valve	006110080001
4	Water flow switch	040060600000
5	Contactator	-
6	Compressor capacitor	041020550000
7	Transformer	036010010000
8	Fan motor capacitor	041010030001
9	Fan motor	032020800000
10	Full set of sensors (Heat)	Z35010010100
11	Compressor	031034010000
12	Titanium heat exchanger (Heat)	001030140000
13	Evaporator	Z01010530000
14	High pressure switch	040050630000
15	Low pressure switch	040050130000
16	High & low pressure valve	006080500000
17	Water union (50mm black)	003990020000
18	Water union gasket	004980050003
19	Drainage kit	Z03991700000
20	Fan	007010030000
21	Top panel	Z03020220109
22	Front panel	Z03020260109
23	Right panel	Z03020220309
24	Back panel	Z03020220509
25	Bottom Board (Black)	002020101600
26	Front left pole (Black)	002020101000
27	Front right pole (Black)	002020101100
28	Back left pole (Black)	002020101200
29	Back right pole (Black)	002020101300



Position	Spare parts	Part number
1	PC board (Heat)	033020090000
2	Oval led (Heat)	034090200000
3	4-way valve	006110080001
4	Water flow switch	040060600000
5	Contactator	040010020000
6	Compressor capacitor	041020600000
7	Transformer	036010010000
8	Fan motor capacitor	041010030001
9	Fan motor	032020800000
10	Full set of sensors (Heat)	Z35010010100
11	Compressor	031034020000
12	Titanium heat exchanger (Heat)	001030650000
13	Evaporator	Z01010940000
14	High pressure switch	040050630000
15	Low pressure switch	040050130000
16	High & low pressure valve	006080500000
17	Water union (50mm black)	003990020000
18	Water union gasket	004980050003
19	Drainage kit	Z03991700000
20	Fan	007010030000
21	Top panel	Z03020220109
22	Front panel	Z03020260109
23	Right panel	Z03020220309
24	Back panel	Z03020220809
25	Bottom Board (Black)	002020501500
26	Front left pole (Black)	002020101000
27	Front right pole (Black)	002020101100
28	Back left pole (Black)	002020101200
29	Back right pole (Black)	002020101300



Position	Spare parts	Part number
1	PC board (Heat)	033020090000
2	Oval led (Heat)	034090200000
3	4-way valve	006110210001
4	Water flow switch	040060600000
5	Contactator	040010020000
6	Compressor capacitor	041020650006
7	Transformer	036010010000
8	Fan motor capacitor	041010030001
9	Fan motor	032020800000
10	Full set of sensors (Heat)	Z35010010100
11	Compressor	031034060000
12	Titanium heat exchanger (Heat)	001030230000
13	Evaporator	Z01010540000
14	High pressure switch	040050630000
15	Low pressure switch	040050130000
16	High & low pressure valve	006080500000
17	Water union (50mm black)	003990020000
18	Water union gasket	004980050003
19	Drainage kit	Z03991700000
20	Fan	007010030000
21	Top panel	Z03020230109
22	Front panel	Z03020260109
23	Right panel	Z03020230309
24	Back panel	Z03020230609
25	Bottom Board (Black)	002020110100
26	Front left pole (Black)	002020111000
27	Front right pole (Black)	002020111100
28	Back left pole (Black)	002020111200
29	Back right pole (Black)	002020111300



Position	Spare parts	Part number
1	PC board (Heat)	033020090000
2	Oval led (Heat)	034090200000
3	4-way valve	006110210001
4	Water flow switch	040060600000
5	Contactator	040010020000
6	Compressor capacitor	041020600006
7	Transformer	036010010000
8	Fan motor capacitor	041010040001
9	Fan motor	032022000000
10	Full set of sensors (Heat)	Z35010010100
11	Compressor	031034070000
12	Titanium heat exchanger (Heat)	001030270000
13	Evaporator	Z001010550000
14	High pressure switch	040050630000
15	Low pressure switch	040050130000
16	High & low pressure valve	006080500000
17	Water union (50mm black)	003990020000
18	Water union gasket	004980050003
19	Drainage kit	Z03991700000
20	Fan	007010030000
21	Top panel	Z03020230109
22	Front panel	Z03020260109
23	Right panel	Z03020230309
24	Back panel	Z03020230609
25	Bottom Board (Black)	002020110100
26	Front left pole (Black)	002020111000
27	Front right pole (Black)	002020111100
28	Back left pole (Black)	002020111200
29	Back right pole (Black)	002020111300