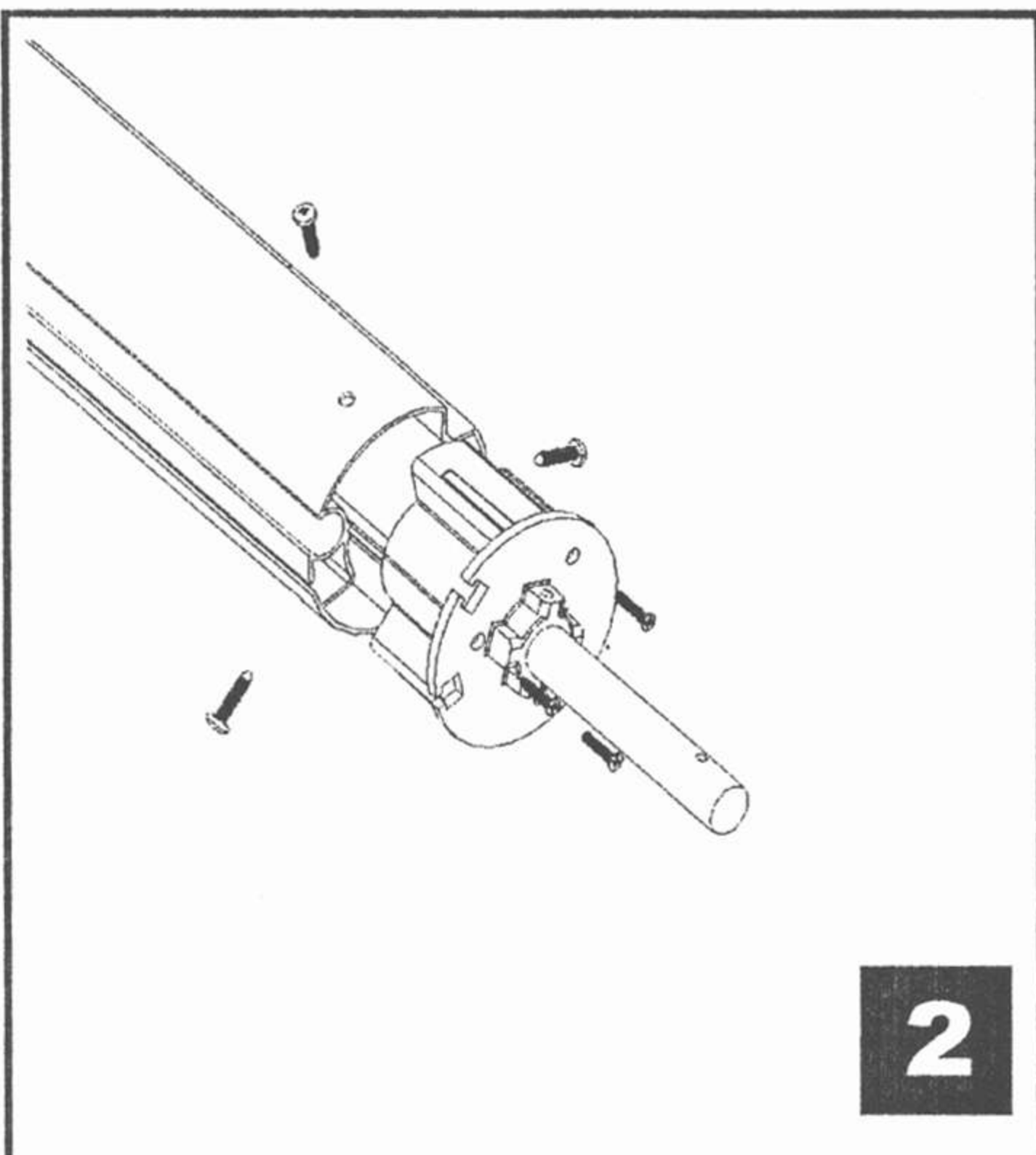
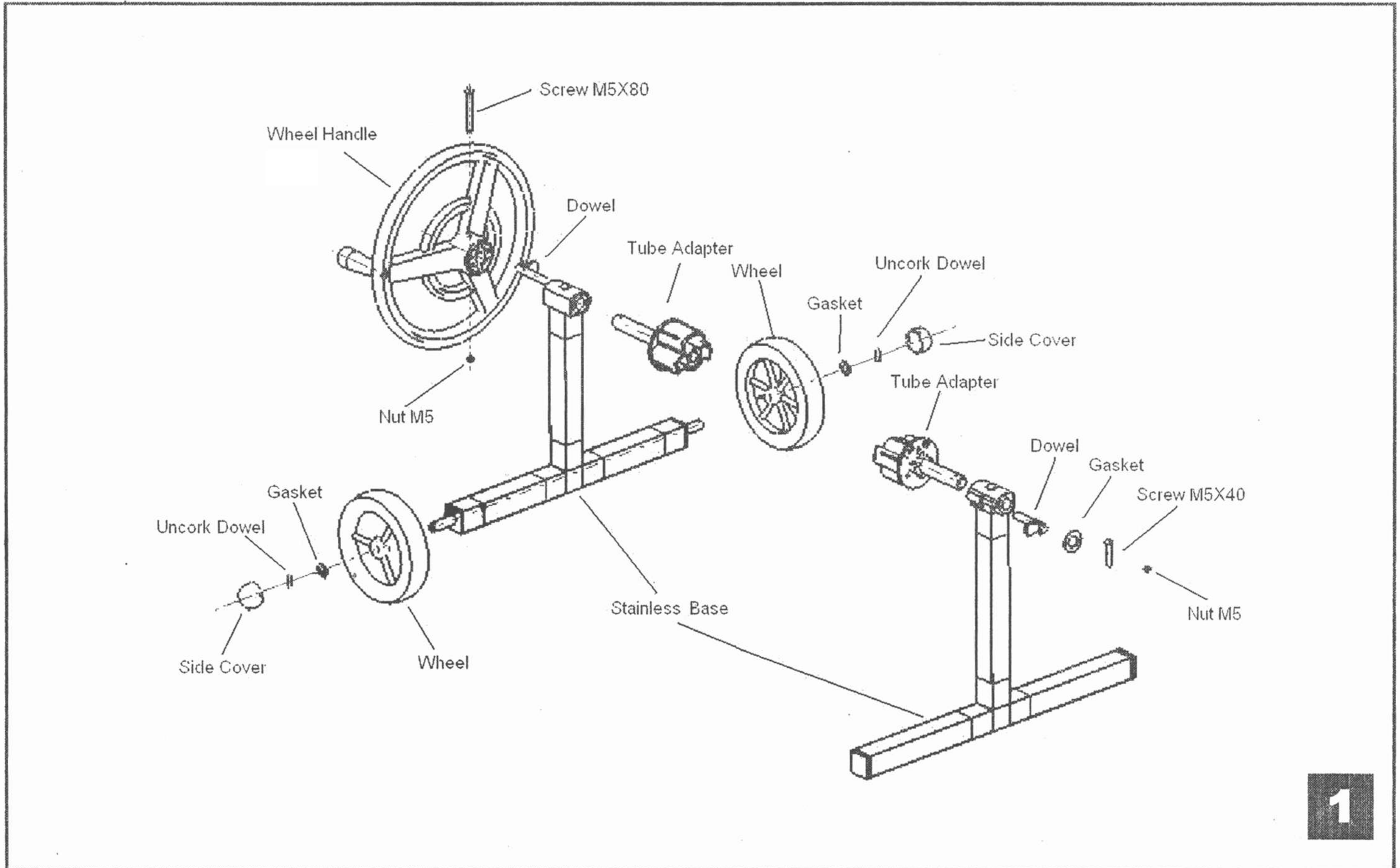
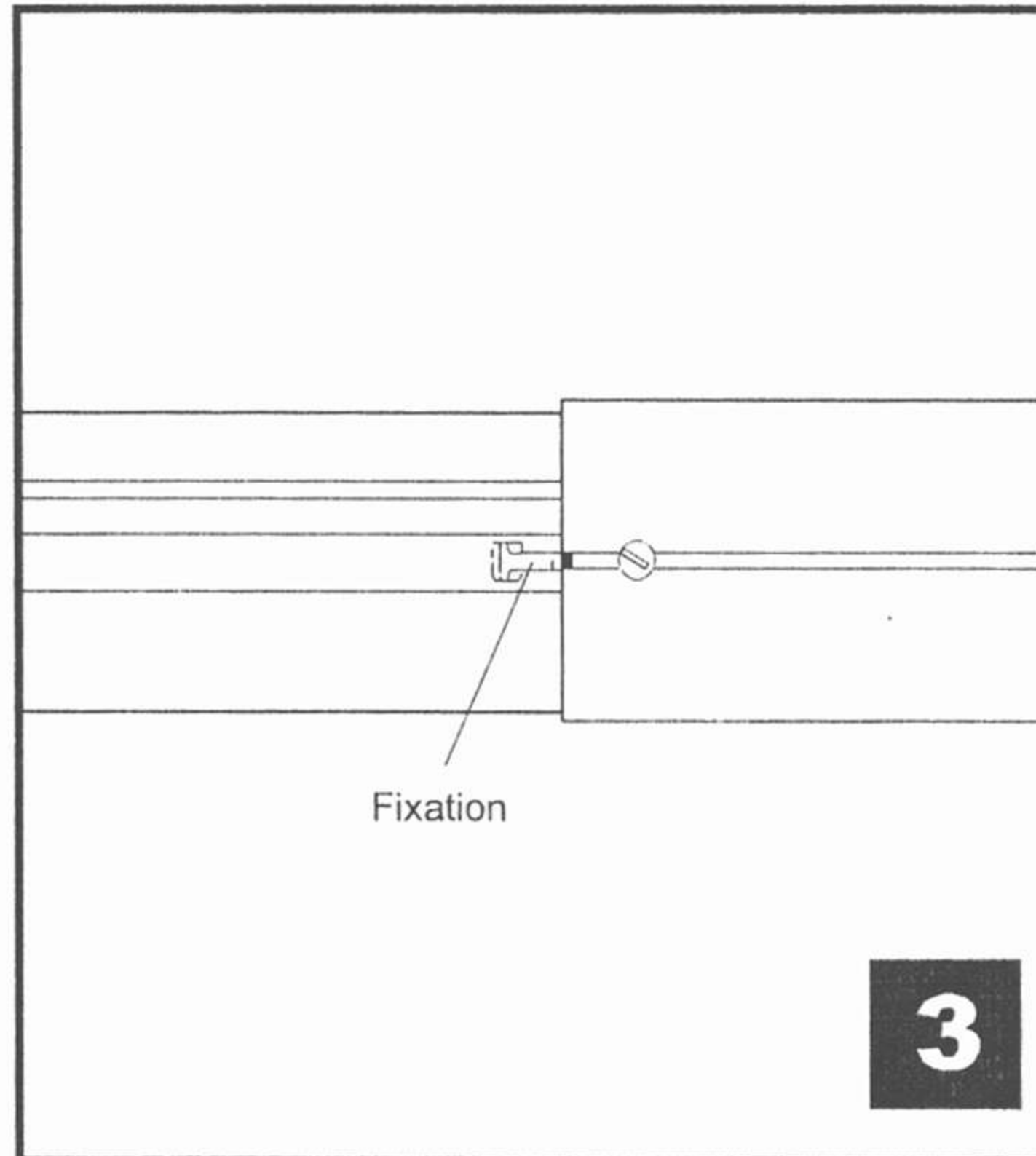


INSTRUCTION SHEET

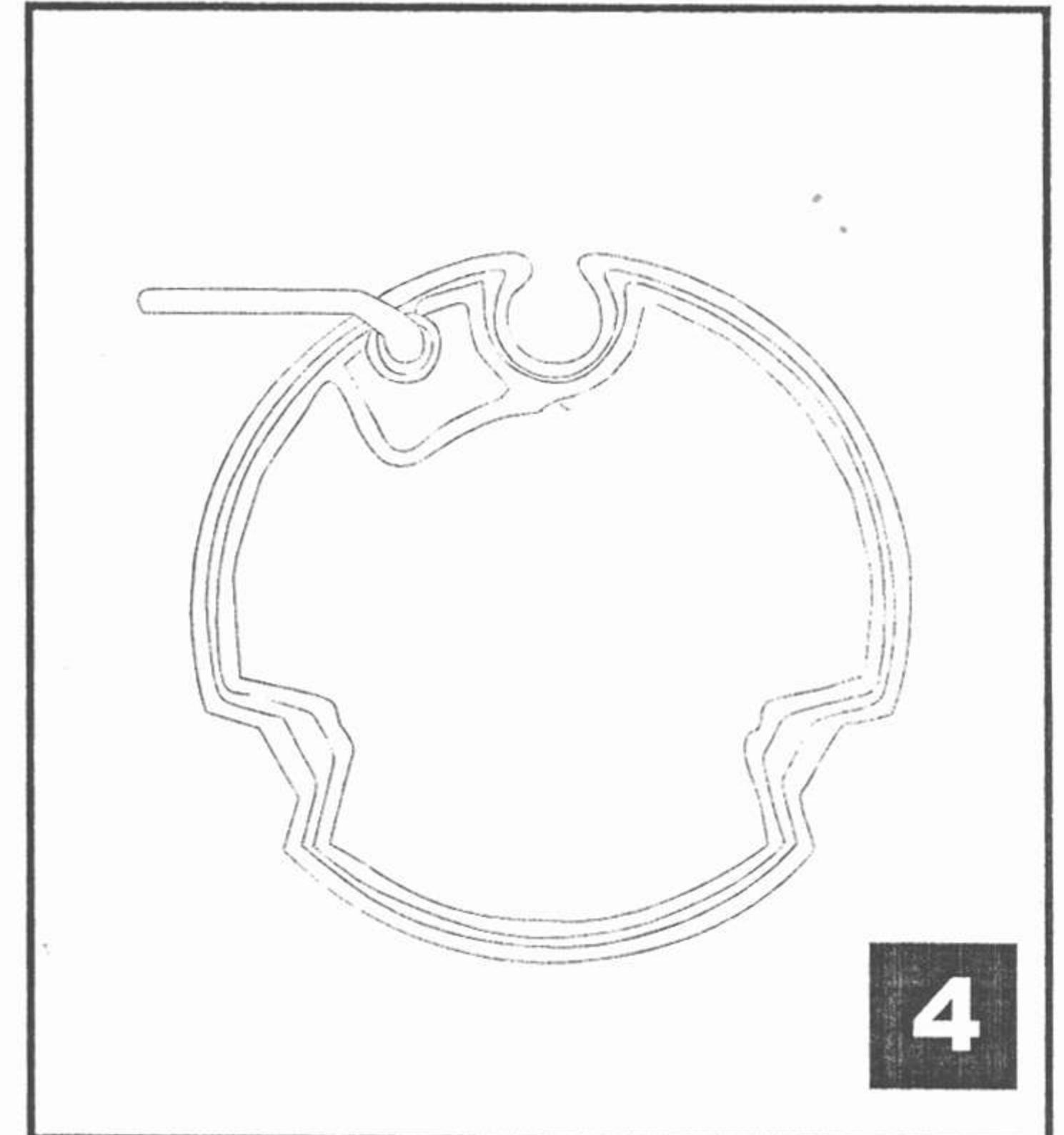
94177、94178、94188、94189



Using screw to connect aluminum tube and Tube Adapter.



Using fixation to connect Tube.



Using elastic clasp to connect with Tube.