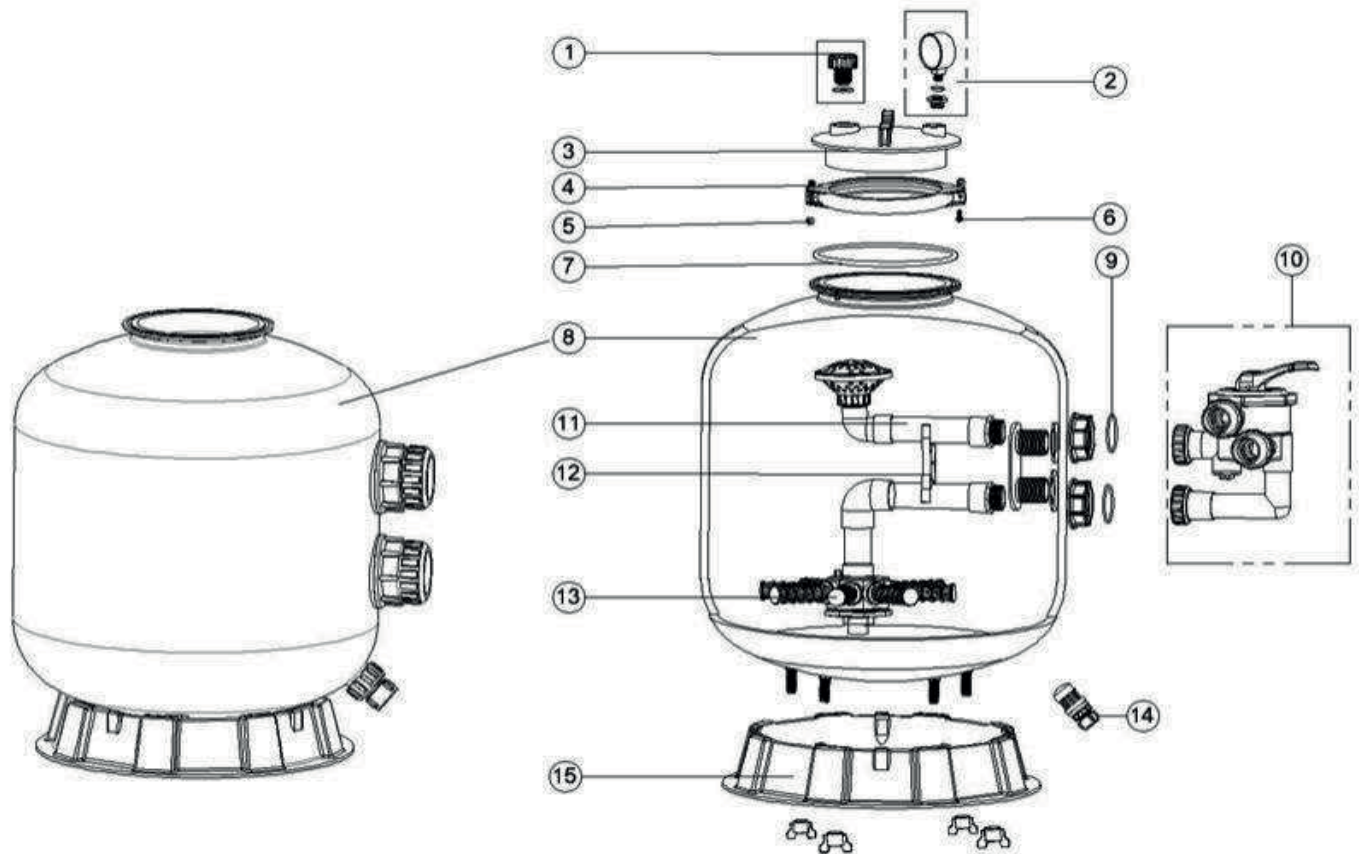


# S SERIES FILTERS REPLACEMENT PARTS

## Parts of S SERIES Models: S450/ S500/ S650/ S700



Key No.	Part No.	Description	Piece(s) Required
1	89010701	Air Release Valve with Oring	1
2	06011032	Maximum 40PSI Indication, Stainless Steel Casing	1
3	01201022	Lid (Transparent)	1
4	01271010	Clamp Lock	2
5	03021035	M6 Nut	1
6	03011095	Screw	1
7	02011134	O-Ring for Filter Neck	1
8	89010706	Filter Tank for S450	1
8	89010705	Filter Tank for S500	1
8	89010704	Filter Tank for S650	1
8	89010703	Filter Tank for S700	1

9	02011003	O-Ring for 1.5" adaptor	2
10	88280811W	6 Way 1.5" Valve with Piping Kit, 1.5" union set x 3 and pressure gauge (White)	1
11	89010708	The Inner Tank System for S450	1
11	89010709	The Inner Tank System for S500	1
11	89010710	The Inner Tank System for S650	1
11	89010711	The Inner Tank System for S700	1
12	01111046	1.5"Tank System Support	1
13	01172007	Laterals(115mm)	8
13	01172008	Laterals (126mm)	8
14	89010107	Water Drain Set	1
15	01111059	16-21inch Filter Base	1
15	01111062	21-28inch Filter Base	1